

◆ **Features:**

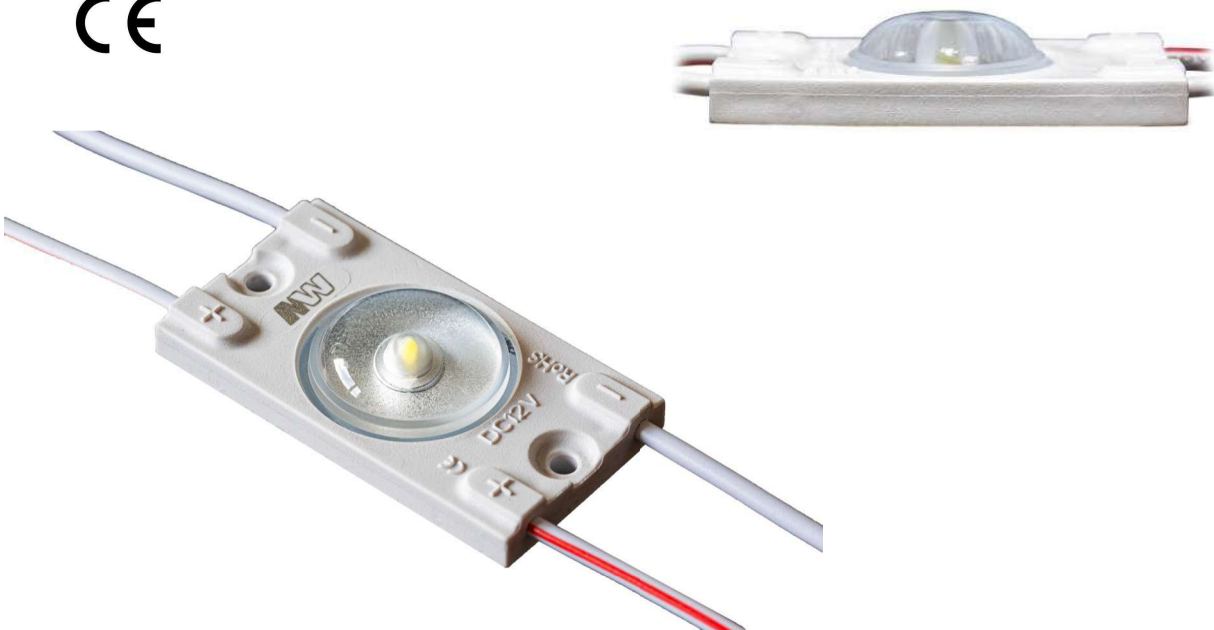
- Built-in lens 170°
- Chain of 30 pcs.
- IP 67 waterproof, injection molded
- Internal current stabilization (CC)
- Built-in heat sink plate
- 5 years warranty

◆ **Applications:**

- Letters of light
- Advertising lightboxes with a min dept 4cm
- POS systems

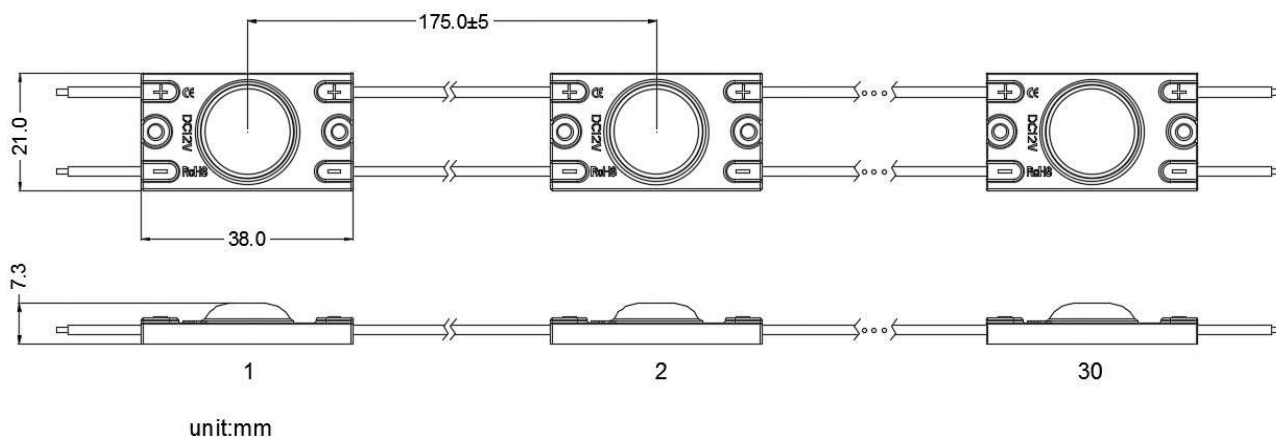
◆ **Photos:**

CE

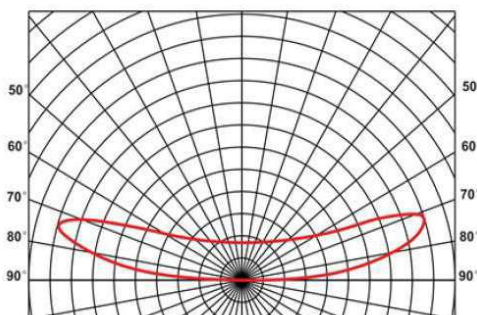


		MW-MLD-2835-1x-LENS170	MW-MLD-2835-1x-LENS170-24V
Power	Rated voltage	12Vdc +/- 5%	24Vdc +/- 5%
	Power consumption	0,96W	
	Current consumption of one module	0.08A	0.04A
	Power consumption of chain	28,8W	
LEDs	Dimensions of LEDs	2835	
	Number of diodes in module	1	
	Color of Light	W-white (6000-7000K) NW-neutral white (4000-4500K)	
	Flux	85lm	
	Luminous efficacy	88lm/W	
	Beam angle	170°	
	Lifetime	50K hours	
Connection	Soldering	Yes	
	Screw and spring clamps	Yes	
Wires	Wire length	135 mm	
	Wires designation	White & red (+) White (-)	
Properties	Protection	IP 67	
	Working temperature	-25°C ... 55°C	
Dimensions	Height, width, length	7,3 x 38 x 21 mm	
Montage	Bonding	Yes	
	Screwing	Nie	
	Hole size	none	
Others	Housing material	ABS	
	Number of modules per 1 m	5 pcs.	
Packing	Chain	30 pcs. (5,2m)	
	Bag	120 pcs	
	Box	1200/2400pcs	

◆ DIMENSIONS :



◆ LIGHT DISTRIBUTION ANGLE



◆ TABLE OF SELECTION OF MODULES FOR GPV POWER SUPPLIES

Power supply	GPV-12-12 GPV-12-24	GPV-18-12 GPV-18-24	GPV-20-12 GPV-20-24	GPV-35-12 GPV-35-24	GPV-50-12 GPV-60-24	GPV-60-12 GPV-60-24
Number of modules	11	16	22	33	46	56
Power supply	GPV-75-12 GPV-75-24	GPV-100-12 GPV-100-24	GPV-120-12 GPV-100-24	GPV-150-12N GPV-150-24	GPV-200-12 GPV-200-24	
Number of modules	70	93	112	140	187	